

D18 HIGH QUALITY EDGE CARD CONNECTOR RIGHT ANGLE (2.54mm*2.54mm)

PITCH:2.54mm

SPECIFICATIONS

Material

Insulator : PBT, glass reinforced, rated UL 94V-0

Contact : Phosphor Bronze

Electrical

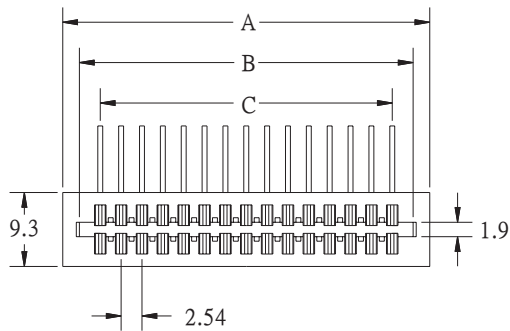
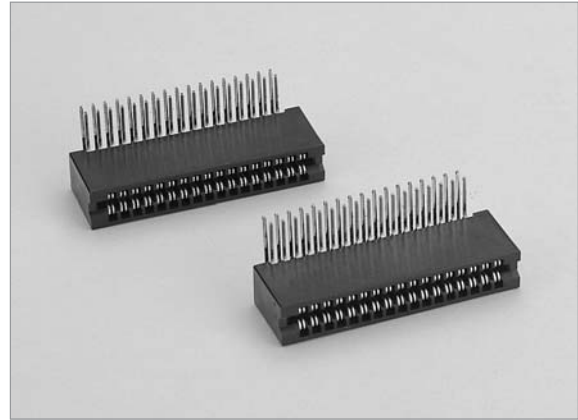
Current Rating : 3 Amp DC

Contact Resistance : 30 mΩ max.

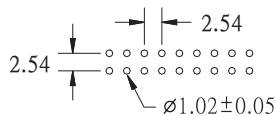
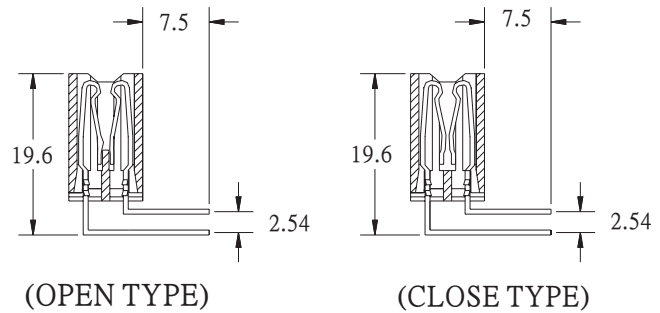
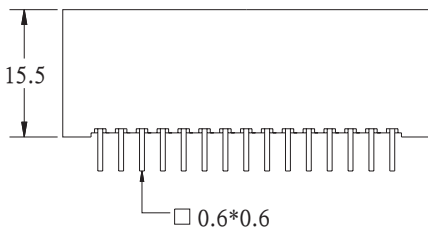
Insulation Resistance : 3000 MΩ min.

Dielectric Withstanding Voltage : 500V AC for 1minute

Operating Temperature : -40°C to +105°C



POSITION	A	B	C
20	32.00	27.94	22.86
24	37.08	33.02	27.94
26	39.62	35.56	30.48
30	44.70	40.64	35.56
34	49.78	45.72	40.64
36	52.32	48.26	43.18
40	57.40	53.34	48.26
44	62.48	58.42	53.34
50	70.10	66.04	60.96
60	82.80	78.74	73.66
72	98.04	93.98	88.90
100	133.60	129.54	124.46



RECOMMENDED P.C.B. LAYOUT

HOW TO ORDER:

D18 - - - - -

1.NO. OF CONTACT	2.CONTACT MATERIAL	3.CONTACT PLATING	4.CONTACT TYPE	5.INSULATOR COLOR
20 24 26 30 34 36 40 44 50 60 72 100	B: PHOSPHOR BRONZE	T: TIN PLATED S: SELECTIVE G: GOLD FLASH A: 5u" INCH GOLD B: 10u" INCH GOLD C: 15u" INCH GOLD D: 30u" INCH GOLD	A: OPEN TYPE B: CLOSE TYPE	1. BLACK 3. BLUE