

C69

SINGLE ROW BOX HEADER STRAIGHT

PITCH: 2.54mm

SPECIFICATIONS

Material

Insulator : PBT, glass reinforced, rated UL 94V-0

Contact : Brass

Electrical

Current Rating : 2 Amp

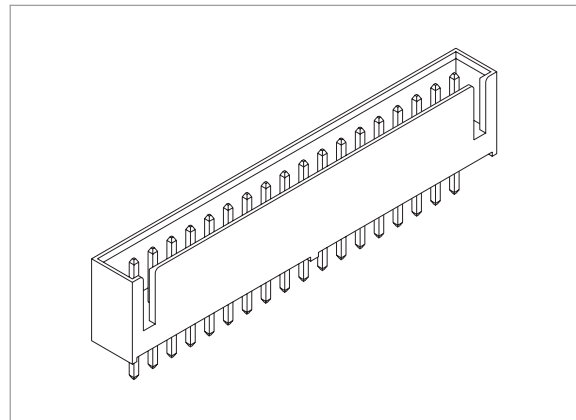
Contact Resistance : 30 mΩ max.

Insulation Resistance : 3000 MΩ min.

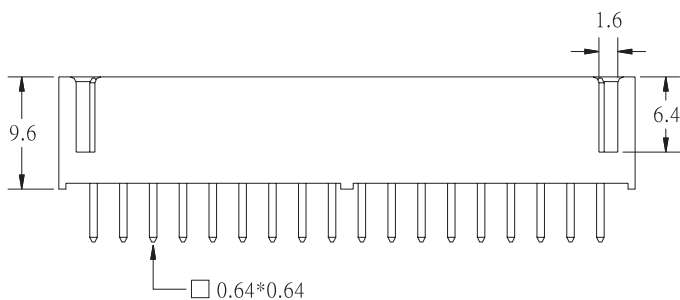
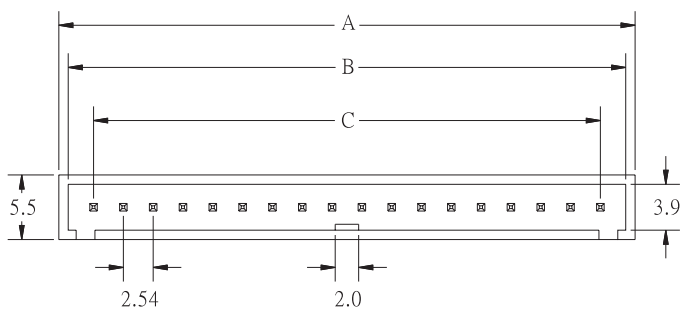
Dielectric Withstanding Voltage :500V AC for 1minute

Operating Temperature : -40°C to +105°C

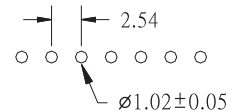
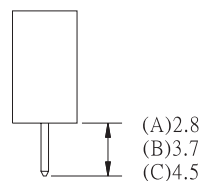
◆ Mating Suggestion : A04d series.



C



POSITION	A	B	C
4	13.54	11.94	7.62
5	16.08	14.48	10.16
6	18.62	17.02	12.70
7	21.16	19.56	15.24
8	23.70	22.10	17.78
9	26.24	24.64	20.32
10	28.78	27.18	22.86
11	31.32	29.72	25.40
12	33.86	32.26	27.94
13	36.40	34.80	30.48
14	38.94	37.34	33.02
15	41.48	39.88	35.56
16	44.02	42.42	38.10
17	46.56	44.96	40.64
18	49.10	47.50	43.18
19	51.64	50.04	45.72
20	54.18	52.58	48.26
21	56.72	55.12	50.80
22	59.26	57.66	53.34
23	61.80	60.20	55.88
24	64.34	62.74	58.42



RECOMMENDED P.C.B LAYOUT

HOW TO ORDER:

C69 - 1 - 2 - 3 - 4 - 5

1.NO. OF CONTACT	2.CONTACT MATERIAL	3.CONTACT PLATING	4.PIN LENGTH	5.INSULATOR COLOR
02 03 04 05 06 07 08 09 10 11 12 13 14 15 16 17 18 19 20 21 22 23 24	A: BRASS	T: TIN PLATED S: SELECTIVE G: GOLD FLASH A: 5u" INCH GOLD B: 10u" INCH GOLD C: 15u" INCH GOLD D: 30u" INCH GOLD	A: 2.8mm B: 3.7mm C: 4.5mm	1. BLACK