

C06g

SHRUNK SHROUDED HEADER RIGHT ANGLE

PITCH: 2.0mm

SPECIFICATIONS

Material

Insulator : PBT, glass reinforced, rated UL 94V-0

Contact : Brass

Electrical

Current Rating : 1 Amp

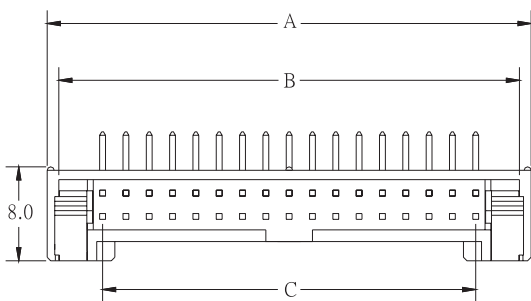
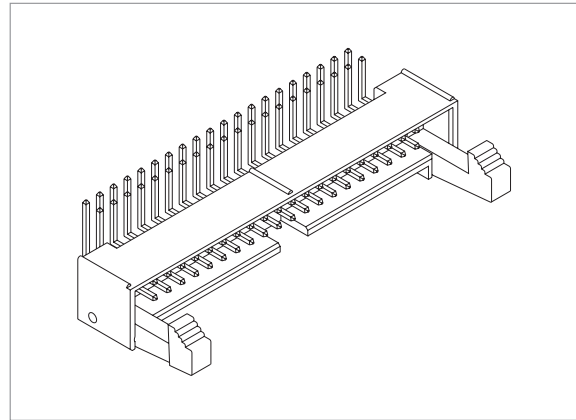
Contact Resistance : 30 mΩ max.

Insulation Resistance : 3000 MΩ min.

Dielectric Withstanding Voltage : 500V AC for 1minute

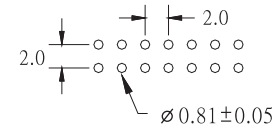
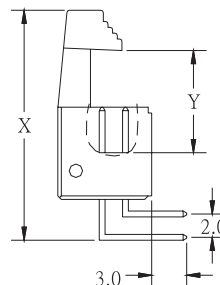
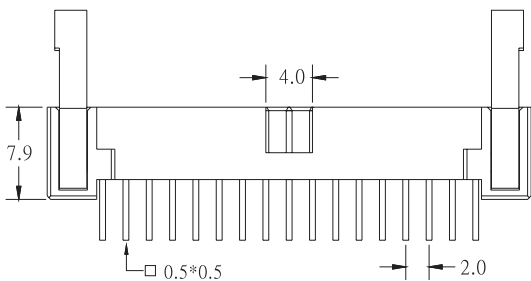
Operating Temperature : -40°C to +105°C

◆ Mating Suggestion : A05 & A05a series.



ACCESSORIES	X	Y
LONG LATCH	22.5	11.6
SHORT LATCH	19.7	8.8

POSITION	A	B	C
10	17.5	15.5	8.0
12	19.5	17.5	10.0
14	21.5	19.5	12.0
16	23.5	21.5	14.0
20	27.5	25.5	18.0
22	29.5	27.5	20.0
24	31.5	29.5	22.0
26	33.5	31.5	24.0
30	37.5	35.5	28.0
34	41.5	39.5	32.0
40	47.5	45.5	38.0
44	51.5	49.5	42.0
48	55.5	53.5	46.0
50	57.5	55.5	48.0
68	75.5	73.5	66.0



RECOMMENDED P.C.B. LAYOUT

HOW TO ORDER:

C06g - - - - -

1.NO. OF CONTACT	2.CONTACT MATERIAL	3.CONTACT PLATING	4.ACCESSORIES	5.INSULATOR COLOR
10 12 14 16 20 22 24 26 30 34 40 44 50 68	A: BRASS	T: TIN PLATED S: SELECTIVE G: GOLD FLASH A: 5u" INCH GOLD B: 10u" INCH GOLD C: 15u" INCH GOLD D: 30u" INCH GOLD	A: LONG LATCH B: SHORT LATCH	1. BLACK