

# B18 JUMPER CONNECTOR

PITCH: 2.50mm

## SPECIFICATIONS

### Material

Insulator : Nylon 66, rated UL 94V-0

Contact : Phosphor Bronze

### Electrical

Current Rating : 1 Amp

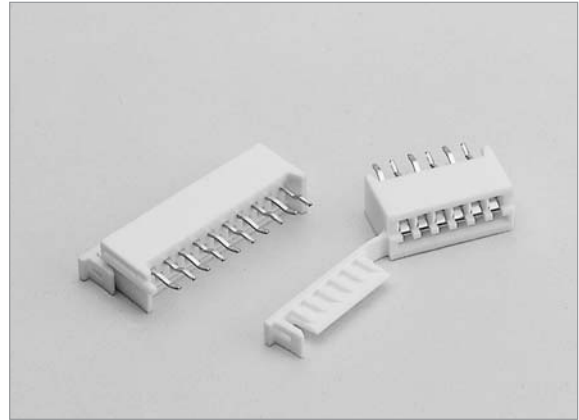
Contact Resistance : 30 mΩ max.

Insulation Resistance : 3000 MΩ min.

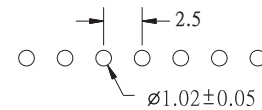
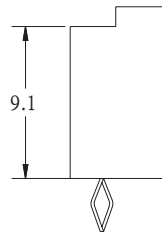
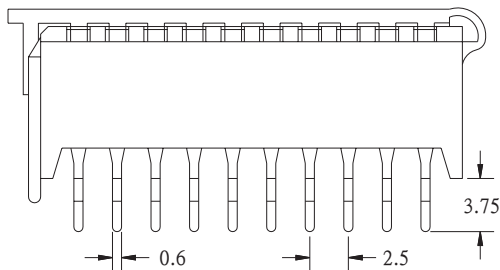
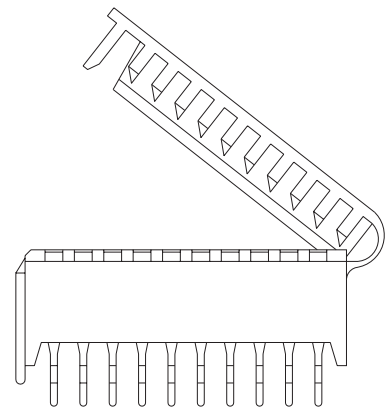
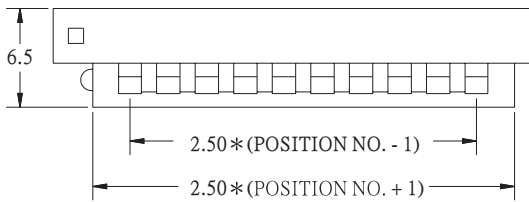
Dielectric Withstanding Voltage : 500V AC for 1minute

Operating Temperature : -25°C to +85°C

♦ Terminate with 2.50mm pitch flat ribbon cable



B



RECOMMENDED P.C.B. LAYOUT

## HOW TO ORDER:

B18 -  -  -  -

1.NO. OF CONTACT	2.CONTACT MATERIAL	3.CONTACT PLATING	4.INSULATOR COLOR
03 04 05 06 07 08 09 10	B: PHOSPHOR BRONZE	T: TIN PLATED S: SELECTIVE G: GOLD FLASH A: 5u" INCH GOLD B: 10u" INCH GOLD C: 15u" INCH GOLD D: 30u" INCH GOLD	5. WHITE