

A21

CENTRONIC IDC TYPE 50 PIN FEMALE

PITCH: 2.54mm

SPECIFICATIONS

Material

Insulator : PBT, glass reinforced, rated UL 94V-0

Contact : Phosphor Bronze

Shell : Steel

Electrical

Current Rating : 1 Amp

Contact Resistance : 30 mΩ max.

Insulation Resistance : 3000 MΩ min.

Dielectric Withstanding Voltage : 500V AC for 1minute

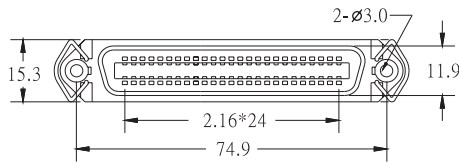
Operating Temperature : -40°C to +105°C

◆ Terminated with 1.27mm pitch flat ribbon cable.

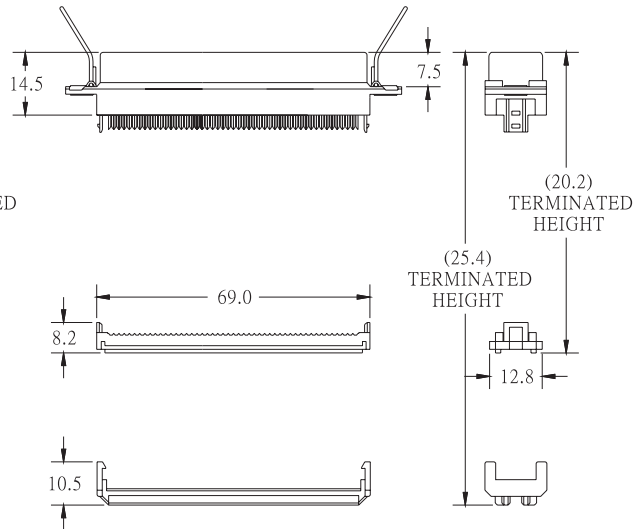
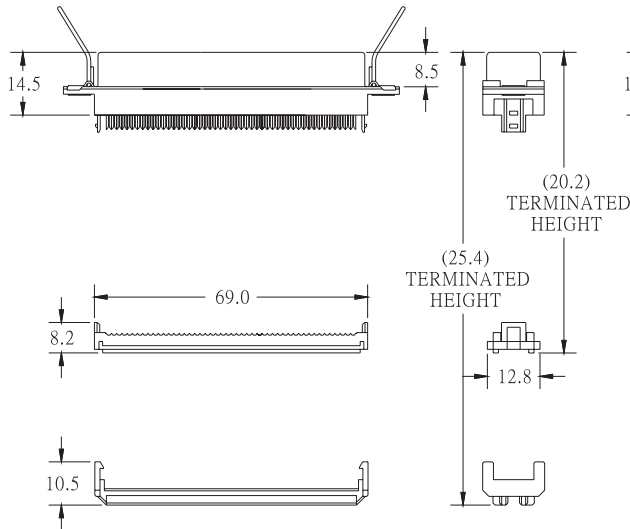
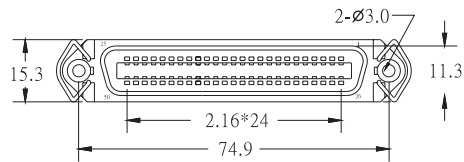
◆ Mating Suggestion : A20, F02 & F03 series.



METAL TYPE



PLASTIC TYPE



HOW TO ORDER:

A21 - - - - - - - - - -

1.NO. OF CONTACT	2.CONTACT TYPE	3.CONTACT MATERIAL	4.CONTACT PLATING
50	F: FEMALE	B: PHOSPHOR BRONZE	T: TIN PLATED S: SELECTIVE G: GOLD FLASH A: 5u" INCH GOLD B: 10u" INCH GOLD C: 15u" INCH GOLD D: 30u" INCH GOLD
5.SHELL	6. MOUNTING METHOD	7.ACCESSORIES	8.INSULATOR COLOR
A: ALL PLASTIC B: METAL	A: THROUGH HOLE B: THREAD INSERT 4-40 UNC C: THREAD INSERT M3	A: W STRAIN RELIEF W LATCH B: W/O STRAIN RELIEF W LATCH C: W STRAIN RELIEF W/O LATCH D: W/O STRAIN RELIEF W/O LATCH	1. BLACK 2. GREY 3. BLUE