

A09b HIGH RETENTION FORCE EDGE CARD IDC TYPE WITH RIGHT ANGLE MOUNTING EAR

PITCH: 2.54mm

SPECIFICATIONS

Material

Insulator : PBT, glass reinforced, rated UL 94V-0

Contact : Phosphor Bronze or Brass

Electrical

Current Rating : 1 Amp

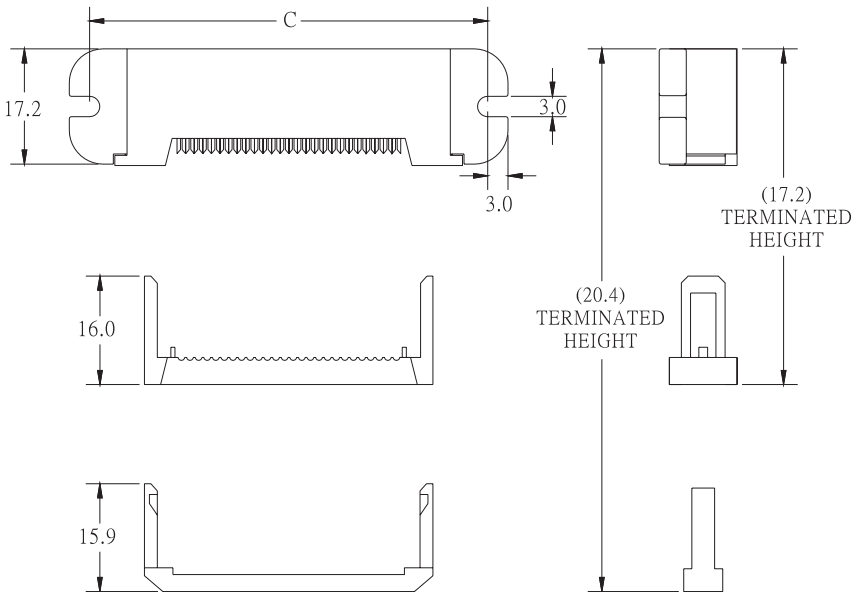
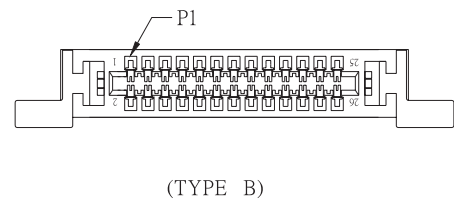
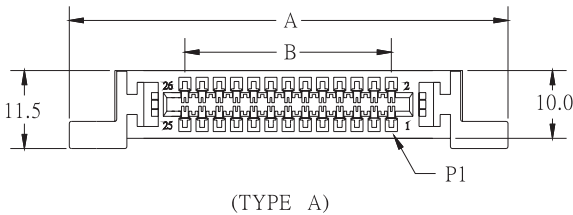
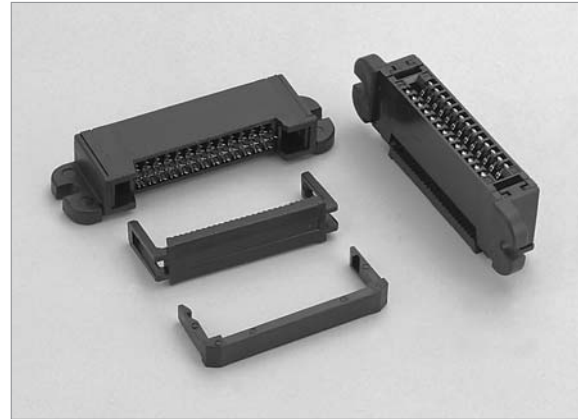
Contact Resistance : 30 mΩ max.

Insulation Resistance : 3000 MΩ min.

Dielectric Withstanding Voltage : 500V AC for 1minute

Operating Temperature : -40°C to +105°C

◆ Terminated with 1.27mm pitch flat ribbon cable.



POSITION	A	B	C
10	44.41	10.16	38.41
14	49.49	15.24	43.49
16	52.03	17.78	46.03
20	57.11	22.86	51.11
26	64.73	30.48	58.73
34	74.89	40.64	68.89
40	82.51	48.26	76.51
50	95.21	60.96	89.21
60	107.91	73.66	101.91
62	110.45	76.20	104.45
64	112.99	78.74	106.99

HOW TO ORDER:

A09b - 1 - 2 - 3 - 4 - 5 - 6

1.NO. OF CONTACT	2.CONTACT MATERIAL	3.CONTACT PLATING	4.SPECIAL FUNCTION	5.EAR TYPE	6.INSULATOR COLOR
10 14 16 20 26 34 40 50 60 62 64	A: BRASS B: PHOSPHOR BRONZE	T: TIN PLATED S: SELECTIVE G: GOLD FLASH A: 5u" INCH GOLD B: 10u" INCH GOLD C: 15u" INCH GOLD D: 30u" INCH GOLD	A: W STRAIN RELIEF W PLUGGED KEY B: W/O STRAIN RELIEF W PLUGGED KEY C: W STRAIN RELIEF W/O PLUGGED KEY D: W/O STRAIN RELIEF W/O PLUGGED KEY	A: TYPE A B: TYPE B	1. BLACK 2. GREY