

A06b

SHRUNK FINE PITCH IDC SOCKET (1.27mm * 2.54mm)

PITCH: 1.27mm

SPECIFICATIONS

Material

Insulator : PBT, glass reinforced, rated UL 94V-0

Contact : Phosphor Bronze

Electrical

Current Rating : 1 Amp

Contact Resistance : 30 mΩ max.

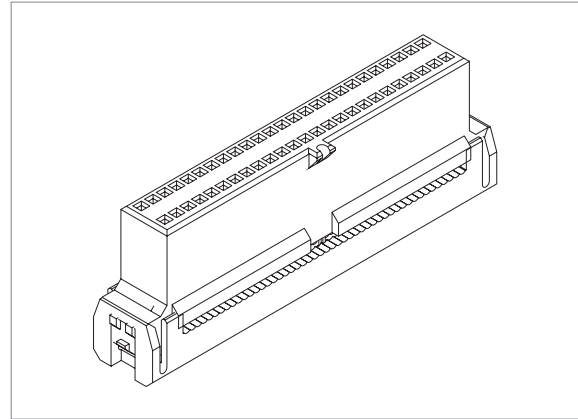
Insulation Resistance : 1000 MΩ min.

Dielectric Withstanding Voltage : 250V AC for 1minute

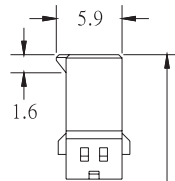
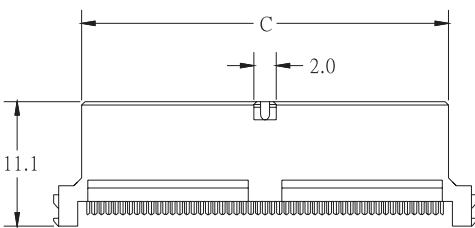
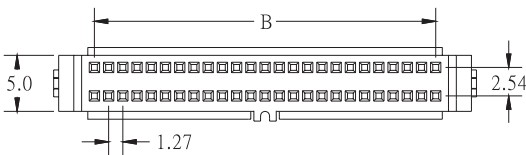
Operating Temperature : -40°C to +105°C

♦ Terminated with 0.635mm pitch flat ribbon cable.

♦ Mating Suggestion : C66, C67 & C68 series.

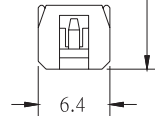
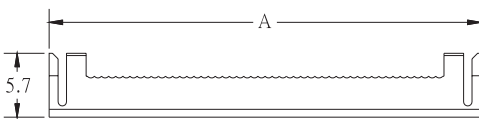


A



POSITION	A	B	C
10	13.16	5.08	7.36
20	19.51	11.43	13.71
26	23.32	15.24	17.52
30	25.86	17.78	20.06
34	28.40	20.32	22.60
40	32.21	24.13	26.41
50	38.56	30.48	32.76
60	44.91	36.83	39.11
68	49.99	41.91	44.19
80	57.61	49.53	51.81
100	70.31	62.23	64.51

(13.1)
TERMINATED
HEIGHT



HOW TO ORDER:

A06b - 1 - 2 - 3 - 4 - 5

1.NO. OF CONTACT	2.CONTACT MATERIAL	3.CONTACT PLATING	4.SPECIAL FUNCTION	5.INSULATOR COLOR
10 20 26 30 34 40 50 60 68 80 100	B: PHOSPHOR BRONZE	T: TIN PLATED S: SELECTIVE G: GOLD FLASH A: 5u" INCH GOLD B: 10u" INCH GOLD C: 15u" INCH GOLD D: 30u" INCH GOLD	B: W/O STRAIN RELIEF W BAR	1. BLACK