

# A06a

## FINE PITCH IDC SOCKET

PITCH: 1.27mm

### SPECIFICATIONS

#### Material

Insulator : PBT, glass reinforced, rated UL 94V-0

Contact : Phosphor Bronze

#### Electrical

Current Rating : 1 Amp

Contact Resistance : 30 mΩ max.

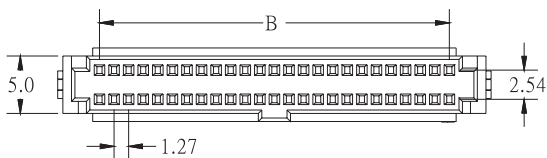
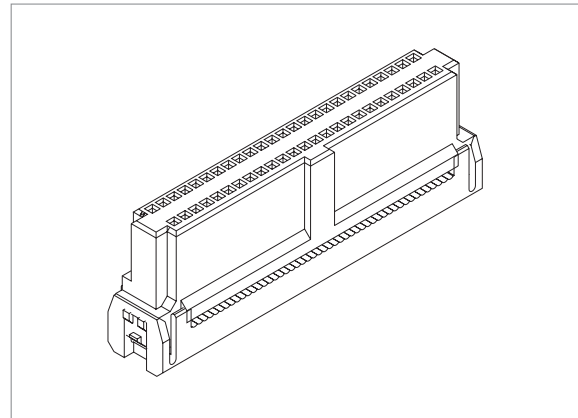
Insulation Resistance : 1000 MΩ min.

Dielectric Withstanding Voltage : 250V AC for 1minute

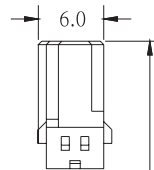
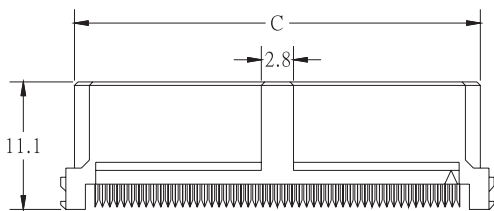
Operating Temperature : -40°C to +105°C

♦ Terminated with 0.635mm pitch flat ribbon cable.

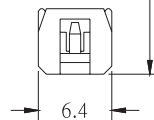
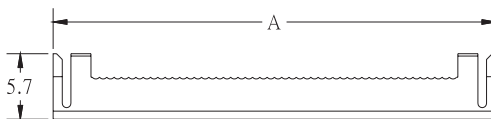
♦ Mating Suggestion : C59, C60 & C61 series.



POSITION	A	B	C
10	13.16	5.08	9.96
20	19.51	11.43	16.31
26	23.32	15.24	20.12
30	25.86	17.78	22.66
34	28.40	20.32	25.20
40	32.21	24.13	29.01
50	38.56	30.48	35.36
60	44.91	36.83	41.71
68	49.99	41.91	46.79
80	57.61	49.53	54.41
100	70.31	62.23	67.11



(13.1)  
TERMINATED  
HEIGHT



### HOW TO ORDER:

A06a -  1 -  2 -  3 -  4 -  5

1.NO. OF CONTACT	2.CONTACT MATERIAL	3.CONTACT PLATING	4.SPECIAL FUNCTION	5.INSULATOR COLOR
10 20 26 30 34 40 50 60 68 80 100	B: PHOSPHOR BRONZE	T: TIN PLATED S: SELECTIVE G: GOLD FLASH A: 5u" INCH GOLD B: 10u" INCH GOLD C: 15u" INCH GOLD D: 30u" INCH GOLD	B: W/O STRAIN RELIEF W BAR	1. BLACK